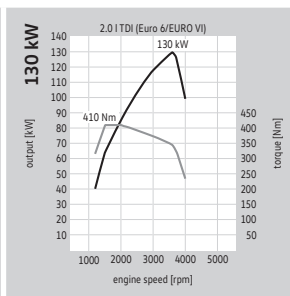
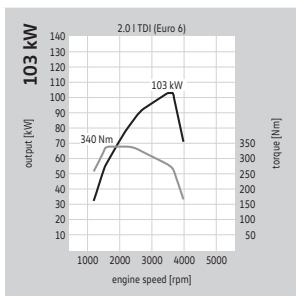
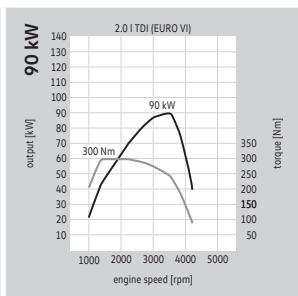
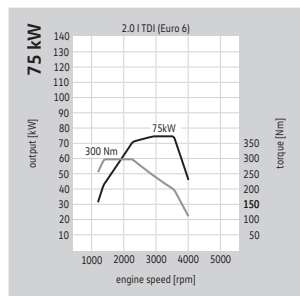


Engines.

	2.0 l TDI engine with 75 kW (102 bhp) with SCR/AdBlue ^{®1)}	2.0 l TDI engine with 90 kW (122 bhp) with SCR/AdBlue ^{®1)}
Engine design/valves per cylinder	4-cylinder diesel engine/4	4-cylinder diesel engine/4
Injection/turbocharging	Common rail direct injection/exhaust-gas turbocharger	Common rail direct injection/exhaust-gas turbocharger
Displacement in cm ³	1,968	1,968
max. output in kW (bhp) at 1/min	75 (102) at 3,000 – 3,500	90 (122) at 3,500
max. torque in Nm at 1/min	300/1,400 – 2,250	300/1,400 – 2,250
Emission category	Euro 6	EURO VI
Fuel type	Diesel, min. 51 CZ in accordance with DIN EN 590	Diesel, min. 51 CZ in accordance with DIN EN 590
Gearbox variant	6-speed manual gearbox	6-speed manual gearbox
Drive type	Front-wheel drive	Rear-wheel drive

	2.0 l TDI engine with 103 kW (140 bhp) with SCR/AdBlue ^{®1)}	2.0 l TDI engine with 130 kW (177 bhp) with SCR/AdBlue ^{®1)}
Engine design/valves per cylinder	4-cylinder diesel engine/4	4-cylinder diesel engine/4
Injection/turbocharging	Common rail direct injection/exhaust-gas turbocharger	Common rail direct injection/exhaust-gas turbocharger
Displacement in cm ³	1,968	1,968
max. output in kW (bhp) at 1/min	103 (140) at 3,500 – 3,600	130 (177) at 3,600
max. torque in Nm at 1/min	340/1,600 – 2,250	410/1,500 – 2,000
Emission category	Euro 6	Euro 6/EURO VI
Fuel type	Diesel, min. 51 CZ in accordance with DIN EN 590	Diesel, min. 51 CZ in accordance with DIN EN 590
Gearbox variant	6-speed manual gearbox, 8-speed automatic gearbox	6-speed manual gearbox, 8-speed automatic gearbox
Drive type	Front-wheel drive, 4MOTION all-wheel drive, rear-wheel drive	Front-wheel drive, 4MOTION all-wheel drive, rear-wheel drive



For detailed explanations on the footnote numbers listed here, please refer to the page "Notes".

Fuel consumption, CO₂ emissions and top speeds.

Crafter Dropside Van

Engine	Drive type	Gearbox	Output maximum in kW (bhp)	Emission standard	Fuel consumption ^{2), 3)} urban/extra-urban/combined, in l/100 km	CO ₂ emissions ³⁾ combined in g/km	Top speed in km/h
--------	------------	---------	----------------------------	-------------------	--	--	-------------------

Crafter 35 medium wheelbase with single cab

2.0 l TDI BMT	front-wheel drive	6-speed manual gearbox	75 (102)	Euro 6	8.2 - 8.1/7.2 - 7.1/7.6 - 7.5	198 - 195	134
2.0 l TDI BMT	front-wheel drive	6-speed manual gearbox	103 (140)	Euro 6	8.2 - 8.1/7.2 - 7.1/7.6 - 7.5	198 - 195	149
2.0 l TDI BMT	4MOTION all-wheel drive	6-speed manual gearbox	103 (140)	Euro 6	9.7 - 9.6/8.4 - 8.3/8.9 - 8.8	232 - 229	147
2.0 l TDI BMT	front-wheel drive	8-speed automatic gearbox	103 (140)	Euro 6	8.0/7.2//7.5	196	147
2.0 l TDI BMT	rear-wheel drive	6-speed manual gearbox	103 (140)	Euro 6	*	*	*
2.0 l TDI BMT	front-wheel drive	6-speed manual gearbox	130 (177)	Euro 6	8.9/7.2 - 7.1/7.8 - 7.7	204 - 201	161
2.0 l TDI BMT	front-wheel drive	8-speed automatic gearbox	130 (177)	Euro 6	8.1/7.5/7.7	202	158
2.0 l TDI BMT	4MOTION all-wheel drive	6-speed manual gearbox	130 (177)	Euro 6	10.1 - 10.0/8.3 - 8.1/8.9 - 8.8	234 - 231	158
2.0 l TDI BMT	rear-wheel drive	6-speed manual gearbox	130 (177)	Euro 6	9.3/7.2/8.0	209	165

Crafter 35 medium wheelbase with double cab

2.0 l TDI BMT	front-wheel drive	6-speed manual gearbox	75 (102)	Euro 6	8.2/7.2/7.6	198	134
2.0 l TDI BMT	front-wheel drive	6-speed manual gearbox	103 (140)	Euro 6	8.2/7.2/7.6	198	149
2.0 l TDI BMT	front-wheel drive	8-speed automatic gearbox	103 (140)	Euro 6	8.0/7.2/7.5	196	147
2.0 l TDI BMT	rear-wheel drive	6-speed manual gearbox	103 (140)	Euro 6	*	*	*
2.0 l TDI BMT	front-wheel drive	6-speed manual gearbox	130 (177)	Euro 6	8.9/7.2/7.8	204	161
2.0 l TDI BMT	front-wheel drive	8-speed automatic gearbox	130 (177)	Euro 6	8.3 - 8.1/7.6 - 7.5/7.9 - 7.7	206 - 202	158
2.0 l TDI BMT	rear-wheel drive	6-speed manual gearbox	130 (177)	Euro 6	9.6/7.4/8.2	214	165

BMT = BlueMotion Technology

*Figures are not yet available.

For detailed explanations on the footnote numbers listed here, please refer to the page "Notes".

Fuel consumption, CO₂ emissions and top speeds.

Crafter Dropside Van

Engine	Drive type	Gearbox	Output maximum in kW (bhp)	Emission standard	Fuel consumption ^{2), 3)} urban/extra-urban/combined, in l/100 km	CO ₂ emissions ³⁾ combined in g/km	Top speed in km/h
--------	------------	---------	----------------------------	-------------------	--	--	-------------------

Crafter 35 long wheelbase with single cab

2.0 l TDI BMT	front-wheel drive	6-speed manual gearbox	75 (102)	Euro 6	8.2/7.2/7.6	198	134
2.0 l TDI BMT	front-wheel drive	6-speed manual gearbox	103 (140)	Euro 6	8.2/7.2/7.6	198	149
2.0 l TDI BMT	front-wheel drive	8-speed automatic gearbox	103 (140)	Euro 6	8.1 – 8.0/7.4 – 7.2/7.7 – 7.5	200 – 196	147
2.0 l TDI BMT	rear-wheel drive	6-speed manual gearbox	103 (140)	Euro 6	*	*	*
2.0 l TDI BMT	front-wheel drive	6-speed manual gearbox	130 (177)	Euro 6	8.9/7.2/7.8	204	161
2.0 l TDI BMT	front-wheel drive	8-speed automatic gearbox	130 (177)	Euro 6	8.3 – 8.1/7.6 – 7.5/7.9 – 7.7	206 – 202	158
2.0 l TDI BMT	rear-wheel drive	6-speed manual gearbox	130 (177)	Euro 6	9.6/7.4/8.2	214	165

Crafter 35 long wheelbase with double cab

2.0 l TDI BMT	front-wheel drive	6-speed manual gearbox	75 (102)	Euro 6	8.3/7.4/7.7	201	134
2.0 l TDI BMT	front-wheel drive	6-speed manual gearbox	103 (140)	Euro 6	8.3/7.4/7.7	201	149
2.0 l TDI BMT	front-wheel drive	8-speed automatic gearbox	103 (140)	Euro 6	8.1/7.4/7.7	200	147
2.0 l TDI BMT	rear-wheel drive	6-speed manual gearbox	103 (140)	Euro 6	*	*	*
2.0 l TDI BMT	front-wheel drive	6-speed manual gearbox	130 (177)	Euro 6	8.9/7.4/8.0	208	161
2.0 l TDI BMT	front-wheel drive	8-speed automatic gearbox	130 (177)	Euro 6	8.3/7.6/7.9	206	158
2.0 l TDI BMT	rear-wheel drive	6-speed manual gearbox	130 (177)	Euro 6	9.6/7.4/8.2	214	165

BMT = BlueMotion Technology

*Figures are not yet available.

For detailed explanations on the footnote numbers listed here, please refer to the page "Notes".

Fuel consumption, CO₂ emissions and top speeds.

Crafter Dropside Van

Engine	Drive type	Gearbox	Output maximum in kW (bhp)	Emission standard	Fuel consumption ^{2), 3)} urban/extra-urban/combined, in l/100 km	CO ₂ emissions ³⁾ combined in g/km	Top speed in km/h
--------	------------	---------	----------------------------	-------------------	--	--	-------------------

Crafter 50 medium wheelbase with single cab

2.0 l TDI BMT	rear-wheel drive	6-speed manual gearbox	90 (122)	Euro VI	*	*	*
2.0 l TDI BMT	rear-wheel drive	6-speed manual gearbox	130 (177)	Euro VI	11.3/7.4/8.8	231	158

Crafter 50 medium wheelbase with double cab

2.0 l TDI BMT	rear-wheel drive	6-speed manual gearbox	90 (122)	Euro VI	*	*	*
2.0 l TDI BMT	rear-wheel drive	6-speed manual gearbox	130 (177)	Euro VI	11.3/7.4/8.8	231	158

Crafter 50 long wheelbase with single cab

2.0 l TDI BMT	rear-wheel drive	6-speed manual gearbox	90 (122)	Euro VI	*	*	*
2.0 l TDI BMT	rear-wheel drive	6-speed manual gearbox	130 (177)	Euro VI	11.3/7.4/8.8	231	158

Crafter 50 long wheelbase with double cab

2.0 l TDI BMT	rear-wheel drive	6-speed manual gearbox	90 (122)	Euro VI	*	*	*
2.0 l TDI BMT	rear-wheel drive	6-speed manual gearbox	130 (177)	Euro VI	11.3/7.4/8.8	231	158

Crafter 50 long plus wheelbase with single cab

2.0 l TDI BMT	rear-wheel drive	6-speed manual gearbox	90 (122)	Euro VI	*	*	*
2.0 l TDI BMT	rear-wheel drive	6-speed manual gearbox	130 (177)	Euro VI	11.3/7.4/8.8	231	158

BMT = BlueMotion Technology

*Figures are not yet available.

For detailed explanations on the footnote numbers listed here, please refer to the page "Notes".

Weights.

Crafter Chassis

Engine	Drive type	Gearbox	Output maximum in kW (bhp)	Emission standard	Gross vehicle weight in kg	Unladen weight minimum ⁴⁾ in kg	Payload maximum – minimum ⁴⁾ in kg	Axle load limit front/rear in kg	Trailer weight braked 12% gradient/ unbraked in kg	Gross train weight 12% gradient in kg
--------	------------	---------	-------------------------------	-------------------	-------------------------------	--	---	--	--	--

Crafter 35 medium wheelbase with single cab

2.0 l TDI BMT	front-wheel drive	6-speed manual gearbox	75 (102)	Euro 6	3,500	1,680	1,820 – 1,350	1,800*/2,100	2,500/750	5,500
2.0 l TDI BMT	front-wheel drive	6-speed manual gearbox	103 (140)	Euro 6	3,500	1,685	1,815 – 1,351	1,800*/2,100	3,000/750	6,000
2.0 l TDI BMT	front-wheel drive	8-speed automatic gearbox	103 (140)	Euro 6	3,500	1,717	1,783 – 1,319	1,800*/2,100	3,000/750	6,000
2.0 l TDI BMT	4MOTION all-wheel drive	6-speed manual gearbox	103 (140)	Euro 6	3,500	1,808	1,692 – 1,233	1,800*/2,100	3,000/750	6,000
2.0 l TDI BMT	rear-wheel drive	6-speed manual gearbox	103 (140)	Euro 6	3,500	1,775	1,725 – 1,263	1,800*/2,250	3,000/750	6,500
2.0 l TDI BMT	front-wheel drive	6-speed manual gearbox	130 (177)	Euro 6	3,500	1,694	1,806 – 1,342	1,800*/2,100	3,000/750	6,000
2.0 l TDI BMT	front-wheel drive	8-speed automatic gearbox	130 (177)	Euro 6	3,500	1,726	1,774 – 1,310	1,800*/2,100	3,000/750	6,000
2.0 l TDI BMT	4MOTION all-wheel drive	6-speed manual gearbox	130 (177)	Euro 6	3,500	1,817	1,683 – 1,224	1,800*/2,100	3,000/750	6,000
2.0 l TDI BMT	rear-wheel drive	6-speed manual gearbox	130 (177)	Euro 6	3,500	1,785	1,715 – 1,253	1,800*/2,250	3,500/750	7,000

Crafter 35 medium wheelbase with double cab

2.0 l TDI BMT	front-wheel drive	6-speed manual gearbox	75 (102)	Euro 6	3,500	1,831	1,669 – 1,164	1,800*/2,100	2,500/750	5,500
2.0 l TDI BMT	front-wheel drive	6-speed manual gearbox	103 (140)	Euro 6	3,500	1,837	1,663 – 1,164	1,800*/2,100	3,000/750	6,000
2.0 l TDI BMT	front-wheel drive	8-speed automatic gearbox	103 (140)	Euro 6	3,500	1,869	1,631 – 1,146	1,800*/2,100	3,000/750	6,000
2.0 l TDI BMT	rear-wheel drive	6-speed manual gearbox	103 (140)	Euro 6	3,500	1,926	1,574 – 1,077	1,800*/2,250	3,000/750	6,500
2.0 l TDI BMT	front-wheel drive	6-speed manual gearbox	130 (177)	Euro 6	3,500	1,845	1,655 – 1,155	1,800*/2,100	3,000/750	6,000
2.0 l TDI BMT	front-wheel drive	8-speed automatic gearbox	130 (177)	Euro 6	3,500	1,877	1,623 – 1,147	1,800*/2,100	3,000/750	6,000
2.0 l TDI BMT	rear-wheel drive	6-speed manual gearbox	130 (177)	Euro 6	3,500	1,936	1,564 – 1,067	1,800*/2,250	3,500/750	7,000

Trailer nose weights

Trailer nose weight in kg	With trailer load limit in kg
100	2,500
120	3,000
140	3,500

BMT = BlueMotion Technology

*Depending on the equipment, the front axle load limit may increase to 2,100 kg. This can affect the minimum payload. For detailed explanations on the footnote numbers listed here, please refer to the page "Notes".

Weights.

Crafter Chassis

Engine	Drive type	Gearbox	Output maximum in kW (bhp)	Emission standard	Gross vehicle weight in kg	Unladen weight minimum ⁴⁾ in kg	Payload maximum – minimum ⁴⁾ in kg	Axle load limit front/rear in kg	Trailer weight braked 12% gradient/ unbraked in kg	Gross train weight 12% gradient in kg
--------	------------	---------	-------------------------------	-------------------	-------------------------------	--	---	--	--	--

Crafter 35 long wheelbase with single cab

2.0 l TDI BMT	front-wheel drive	6-speed manual gearbox	75 (102)	Euro 6	3,500	1,696	1,804 – 1,350	1,800*/2,100	2,500/750	5,500
2.0 l TDI BMT	front-wheel drive	6-speed manual gearbox	103 (140)	Euro 6	3,500	1,701	1,799 – 1,351	1,800*/2,100	3,000/750	6,000
2.0 l TDI BMT	front-wheel drive	8-speed automatic gearbox	103 (140)	Euro 6	3,500	1,733	1,767 – 1,351	1,800*/2,100	3,000/750	6,000
2.0 l TDI BMT	rear-wheel drive	6-speed manual gearbox	103 (140)	Euro 6	3,500	1,801	1,699 – 1,249	1,800*/2,250	3,000/750	6,500
2.0 l TDI BMT	front-wheel drive	6-speed manual gearbox	130 (177)	Euro 6	3,500	1,710	1,790 – 1,351	1,800*/2,100	3,000/750	6,000
2.0 l TDI BMT	front-wheel drive	8-speed automatic gearbox	130 (177)	Euro 6	3,500	1,742	1,758 – 1,351	1,800*/2,100	3,000/750	6,000
2.0 l TDI BMT	rear-wheel drive	6-speed manual gearbox	130 (177)	Euro 6	3,500	1,811	1,689 – 1,248	1,800*/2,250	3,500/750	7,000

Crafter 35 long wheelbase with double cab

2.0 l TDI BMT	front-wheel drive	6-speed manual gearbox	75 (102)	Euro 6	3,500	1,847	1,653 – 1,137	2,100/2,100	2,500/750	5,500
2.0 l TDI BMT	front-wheel drive	6-speed manual gearbox	103 (140)	Euro 6	3,500	1,852	1,648 – 1,137	2,100/2,100	3,000/750	6,000
2.0 l TDI BMT	front-wheel drive	8-speed automatic gearbox	103 (140)	Euro 6	3,500	1,884	1,616 – 1,105	2,100/2,100	3,000/750	6,000
2.0 l TDI BMT	rear-wheel drive	6-speed manual gearbox	103 (140)	Euro 6	3,500	1,952	1,548 – 1,045	2,100/2,250	3,000/750	6,500
2.0 l TDI BMT	front-wheel drive	6-speed manual gearbox	130 (177)	Euro 6	3,500	1,861	1,639 – 1,128	2,100/2,100	3,000/750	6,000
2.0 l TDI BMT	front-wheel drive	8-speed automatic gearbox	130 (177)	Euro 6	3,500	1,893	1,607 – 1,096	2,100/2,100	3,000/750	6,000
2.0 l TDI BMT	rear-wheel drive	6-speed manual gearbox	130 (177)	Euro 6	3,500	1,962	1,538 – 1,035	2,100/2,250	3,500/750	7,000

Trailer nose weights

Trailer nose weight in kg	With trailer load limit in kg
100	2,500
120	3,000
140	3,500

BMT = BlueMotion Technology

*Depending on the equipment, the front axle load limit may increase to 2,100 kg. This can affect the minimum payload. For detailed explanations on the footnote numbers listed here, please refer to the page "Notes".

Weights.

Crafter Chassis

Engine	Drive type	Gearbox	Output maximum in kW (bhp)	Emission standard	Gross vehicle weight in kg	Unladen weight minimum ⁴⁾ in kg	Payload maximum – minimum ⁴⁾ in kg	Axle load limit front/rear in kg	Trailer weight braked 12% gradient/ unbraked in kg	Gross train weight 12% gradient in kg
--------	------------	---------	-------------------------------	-------------------	-------------------------------	--	---	--	--	--

Crafter 50 medium wheelbase with single cab

2.0 l TDI BMT	rear-wheel drive	6-speed manual gearbox	90 (122)	EURO VI	5,000	1,924	3,076 – 2,649	2,200/3,500	3,500/750	7,500
2.0 l TDI BMT	rear-wheel drive	6-speed manual gearbox	130 (177)	EURO VI	5,000	1,933	3,067 – 2,639	2,200/3,500	3,500/750	8,000

Crafter 50 medium wheelbase with double cab

2.0 l TDI BMT	rear-wheel drive	6-speed manual gearbox	90 (122)	EURO VI	5,000	2,049	2,951 – 2,488	2,200/3,500	3,500/750	7,500
2.0 l TDI BMT	rear-wheel drive	6-speed manual gearbox	130 (177)	EURO VI	5,000	2,058	2,942 – 2,478	2,200/3,500	3,500/750	8,000

Crafter 50 long wheelbase with single cab

2.0 l TDI BMT	rear-wheel drive	6-speed manual gearbox	90 (122)	EURO VI	5,000	1,960	3,040 – 2,617	2,200/3,500	3,500/750	7,500
2.0 l TDI BMT	rear-wheel drive	6-speed manual gearbox	130 (177)	EURO VI	5,000	1,969	3,031 – 2,607	2,200/3,500	3,500/750	8,000

Crafter 50 long wheelbase with double cab

2.0 l TDI BMT	rear-wheel drive	6-speed manual gearbox	90 (122)	EURO VI	5,000	2,083	2,917 – 2,453	2,200/3,500	3,500/750	7,500
2.0 l TDI BMT	rear-wheel drive	6-speed manual gearbox	130 (177)	EURO VI	5,000	2,092	2,908 – 2,443	2,200/3,500	3,500/750	8,000

Crafter 50 long plus wheelbase with single cab

2.0 l TDI BMT	rear-wheel drive	6-speed manual gearbox	90 (122)	EURO VI	5,000	1,976	3,024 – 2,604	2,200/3,500	3,500/750	7,500
2.0 l TDI BMT	rear-wheel drive	6-speed manual gearbox	130 (177)	EURO VI	5,000	1,985	3,015 – 2,595	2,200/3,500	3,500/750	8,000

Trailer nose weights

Trailer nose weight in kg	With trailer load limit in kg
140	3,500

BMT = BlueMotion Technology

For detailed explanations on the footnote numbers listed here, please refer to the page "Notes".

Weights.

Crafter Dropside Van

Engine	Drive type	Gearbox	Output maximum in kW (bhp)	Emission standard	Gross vehicle weight in kg	Unladen weight minimum ⁴⁾ in kg	Payload maximum – minimum ⁴⁾ in kg	Axle load limit front/rear in kg	Trailer weight braked 12% gradient/ unbraked in kg	Gross train weight 12% gradient in kg
--------	------------	---------	-------------------------------	-------------------	-------------------------------	--	---	--	--	--

Crafter 35 medium wheelbase with single cab

2.0 l TDI BMT	front-wheel drive	6-speed manual gearbox	75 (102)	Euro 6	3,500	2,044	1,456 – 859	1,800*/2,100	2,500/750	5,500
2.0 l TDI BMT	front-wheel drive	6-speed manual gearbox	103 (140)	Euro 6	3,500	2,050	1,450 – 859	1,800*/2,100	3,000/750	6,000
2.0 l TDI BMT	front-wheel drive	8-speed automatic gearbox	103 (140)	Euro 6	3,500	2,082	1,418 – 827	1,800*/2,100	3,000/750	6,000
2.0 l TDI BMT	4MOTION all-wheel drive	6-speed manual gearbox	103 (140)	Euro 6	3,500	2,172	1,328 – 742	1,800*/2,100	3,000/750	6,000
2.0 l TDI BMT	rear-wheel drive	6-speed manual gearbox	103 (140)	Euro 6	3,500	2,139	1,361 – 773	1,800*/2,250	3,000/750	6,500
2.0 l TDI BMT	front-wheel drive	6-speed manual gearbox	130 (177)	Euro 6	3,500	2,059	1,441 – 850	1,800*/2,100	3,000/750	6,000
2.0 l TDI BMT	front-wheel drive	8-speed automatic gearbox	130 (177)	Euro 6	3,500	2,091	1,409 – 818	1,800*/2,100	3,000/750	6,000
2.0 l TDI BMT	4MOTION all-wheel drive	6-speed manual gearbox	130 (177)	Euro 6	3,500	2,181	1,319 – 733	1,800*/2,100	3,000/750	6,000
2.0 l TDI BMT	rear-wheel drive	6-speed manual gearbox	130 (177)	Euro 6	3,500	2,149	1,351 – 763	1,800*/2,250	3,500/750	7,000

Crafter 35 medium wheelbase with double cab

2.0 l TDI BMT	front-wheel drive	6-speed manual gearbox	75 (102)	Euro 6	3,500	2,139	1,361 – 951	1,800*/2,100	2,500/750	5,500
2.0 l TDI BMT	front-wheel drive	6-speed manual gearbox	103 (140)	Euro 6	3,500	2,145	1,355 – 951	1,800*/2,100	3,000/750	6,000
2.0 l TDI BMT	front-wheel drive	8-speed automatic gearbox	103 (140)	Euro 6	3,500	2,177	1,323 – 951	1,800*/2,100	3,000/750	6,000
2.0 l TDI BMT	rear-wheel drive	6-speed manual gearbox	103 (140)	Euro 6	3,500	2,234	1,266 – 662	2,100/2,250	3,000/750	6,500
2.0 l TDI BMT	front-wheel drive	6-speed manual gearbox	130 (177)	Euro 6	3,500	2,153	1,347 – 951	1,800*/2,100	3,000/750	6,000
2.0 l TDI BMT	front-wheel drive	8-speed automatic gearbox	130 (177)	Euro 6	3,500	2,185	1,315 – 951	1,800*/2,100	3,000/750	6,000
2.0 l TDI BMT	rear-wheel drive	6-speed manual gearbox	130 (177)	Euro 6	3,500	2,244	1,256 – 652	2,100/2,250	3,500/750	7,000

Trailer nose weights

Trailer nose weight in kg	With trailer load limit in kg
100	2,500
120	3,000
140	3,500

BMT = BlueMotion Technology

*Depending on the equipment, the front axle load limit may increase to 2,100 kg. This can affect the minimum payload. For detailed explanations on the footnote numbers listed here, please refer to the page "Notes".

Weights.

Crafter Dropside Van

Engine	Drive type	Gearbox	Output maximum in kW (bhp)	Emission standard	Gross vehicle weight in kg	Unladen weight minimum ⁴⁾ in kg	Payload maximum – minimum ⁴⁾ in kg	Axle load limit front/rear in kg	Trailer weight braked 12% gradient/unbraked in kg	Gross train weight 12% gradient in kg
--------	------------	---------	----------------------------	-------------------	----------------------------	--	---	----------------------------------	---	---------------------------------------

Crafter 35 long wheelbase with single cab

2.0 l TDI BMT	front-wheel drive	6-speed manual gearbox	75 (102)	Euro 6	3,500	2,118	1,382 – 908	1,800*/2,100	2,500/750	5,500
2.0 l TDI BMT	front-wheel drive	6-speed manual gearbox	103 (140)	Euro 6	3,500	2,124	1,376 – 908	1,800*/2,100	3,000/750	6,000
2.0 l TDI BMT	front-wheel drive	8-speed automatic gearbox	103 (140)	Euro 6	3,500	2,156	1,344 – 908	1,800*/2,100	3,000/750	6,000
2.0 l TDI BMT	rear-wheel drive	6-speed manual gearbox	103 (140)	Euro 6	3,500	2,223	1,277 – 808	1,800*/2,250	3,000/750	6,500
2.0 l TDI BMT	front-wheel drive	6-speed manual gearbox	130 (177)	Euro 6	3,500	2,133	1,367 – 908	1,800*/2,100	3,000/750	6,000
2.0 l TDI BMT	front-wheel drive	8-speed automatic gearbox	130 (177)	Euro 6	3,500	2,165	1,335 – 908	1,800*/2,100	3,000/750	6,000
2.0 l TDI BMT	rear-wheel drive	6-speed manual gearbox	130 (177)	Euro 6	3,500	2,233	1,267 – 807	1,800*/2,250	3,500/750	7,000

Crafter 35 long wheelbase with double cab

2.0 l TDI BMT	front-wheel drive	6-speed manual gearbox	75 (102)	Euro 6	3,500	2,218	1,282 – 951	2,100/2,100	2,500/750	5,500
2.0 l TDI BMT	front-wheel drive	6-speed manual gearbox	103 (140)	Euro 6	3,500	2,223	1,277 – 951	2,100/2,100	3,000/750	6,000
2.0 l TDI BMT	front-wheel drive	8-speed automatic gearbox	103 (140)	Euro 6	3,500	2,255	1,245 – 951	2,100/2,100	3,000/750	6,000
2.0 l TDI BMT	rear-wheel drive	6-speed manual gearbox	103 (140)	Euro 6	3,500	2,323	1,177 – 557	2,100/2,250	3,000/750	6,500
2.0 l TDI BMT	front-wheel drive	6-speed manual gearbox	130 (177)	Euro 6	3,500	2,232	1,268 – 951	2,100/2,100	3,000/750	6,000
2.0 l TDI BMT	front-wheel drive	8-speed automatic gearbox	130 (177)	Euro 6	3,500	2,264	1,236 – 951	2,100/2,100	3,000/750	6,000
2.0 l TDI BMT	rear-wheel drive	6-speed manual gearbox	130 (177)	Euro 6	3,500	2,333	1,167 – 547	2,100/2,250	3,500/750	7,000

Trailer nose weights

Trailer nose weight in kg	With trailer load limit in kg
100	2,500
120	3,000
140	3,500

BMT = BlueMotion Technology

*Depending on the equipment, the front axle load limit may increase to 2,100 kg. This can affect the minimum payload. For detailed explanations on the footnote numbers listed here, please refer to the page "Notes".

Weights.

Crafter Dropside Van

Engine	Drive type	Gearbox	Output maximum in kW (bhp)	Emission standard	Gross vehicle weight in kg	Unladen weight minimum ⁴⁾ in kg	Payload maximum – minimum ⁴⁾ in kg	Axle load limit front/rear in kg	Trailer weight braked 12% gradient/ unbraked in kg	Gross train weight 12% gradient in kg
--------	------------	---------	-------------------------------	-------------------	-------------------------------	--	---	--	--	--

Crafter 50 medium wheelbase with single cab

2,0-l-TDI BMT	rear-wheel drive	6-speed manual gearbox	90 (122)	EURO VI	5,000	2,356	2,644 – 2,098	2,200/3,500	3,500/750	7,500
2,0-l-TDI BMT	rear-wheel drive	6-speed manual gearbox	130 (177)	EURO VI	5,000	2,357	2,643 – 2,088	2,200/3,500	3,500/750	8,000

Crafter 50 medium wheelbase with double cab

2,0-l-TDI BMT	rear-wheel drive	6-speed manual gearbox	90 (122)	EURO VI	5,000	2,397	2,603 – 2,032	2,200/3,500	3,500/750	7,500
2,0-l-TDI BMT	rear-wheel drive	6-speed manual gearbox	130 (177)	EURO VI	5,000	2,406	2,594 – 2,022	2,200/3,500	3,500/750	8,000

Crafter 50 long wheelbase with single cab

2,0-l-TDI BMT	rear-wheel drive	6-speed manual gearbox	90 (122)	EURO VI	5,000	2,454	2,546 – 1,987	2,200/3,500	3,500/750	7,500
2,0-l-TDI BMT	rear-wheel drive	6-speed manual gearbox	130 (177)	EURO VI	5,000	2,463	2,537 – 1,976	2,200/3,500	3,500/750	8,000

Crafter 50 long wheelbase with double cab

2,0-l-TDI BMT	rear-wheel drive	6-speed manual gearbox	90 (122)	EURO VI	5,000	2,514	2,486 – 1,905	2,200/3,500	3,500/750	7,500
2,0-l-TDI BMT	rear-wheel drive	6-speed manual gearbox	130 (177)	EURO VI	5,000	2,523	2,477 – 1,895	2,200/3,500	3,500/750	8,000

Crafter 50 long plus wheelbase with single cab

2,0-l-TDI BMT	rear-wheel drive	6-speed manual gearbox	90 (122)	EURO VI	5,000	2,508	2,492 – 1,884	2,200/3,500	3,500/750	7,500
2,0-l-TDI BMT	rear-wheel drive	6-speed manual gearbox	130 (177)	EURO VI	5,000	2,517	2,483 – 1,875	2,200/3,500	3,500/750	8,000

Trailer nose weights

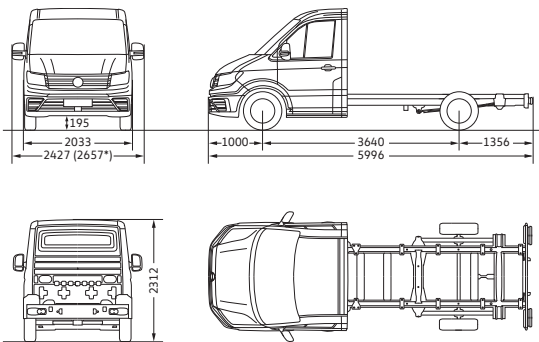
Trailer nose weight in kg	With trailer load limit in kg
140	3,500

BMT = BlueMotion Technology

For detailed explanations on the footnote numbers listed here, please refer to the page "Notes".

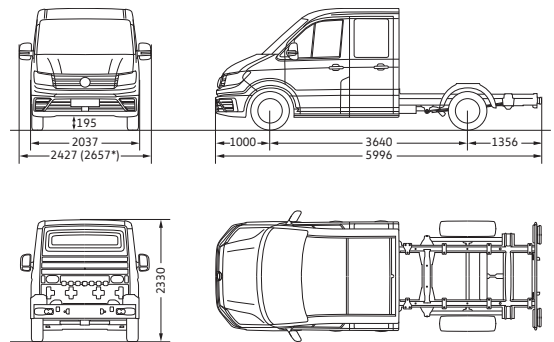
Dimensions.

Crafter 35 Chassis medium wheelbase with single cab



*This value applies for the optional bow-mounted door mirror extensions.

Crafter 35 Chassis medium wheelbase with double cab



*This value applies for the optional bow-mounted door mirror extensions.

turning circle (m)

13.6

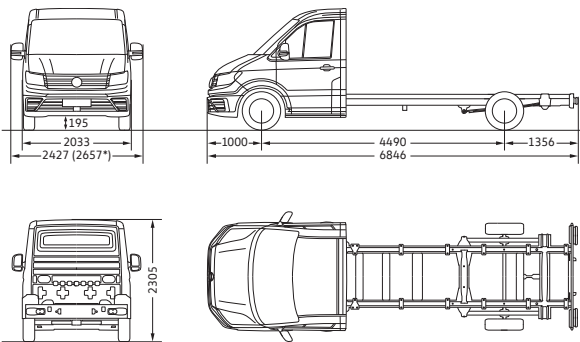
turning circle (m)

13.6

All measurements listed are based on series vehicles. The height measurements listed here can differ by approx. ±40 mm depending on equipment. The vehicle drawings are not to scale.

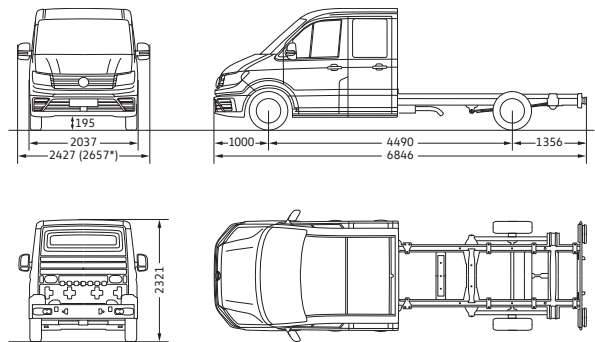
Dimensions.

Crafter 35 Chassis long wheelbase with single cab



*This value applies for the optional bow-mounted door mirror extensions.

Crafter 35 Chassis long wheelbase with double cab



*This value applies for the optional bow-mounted door mirror extensions.

turning circle (m)

16.2

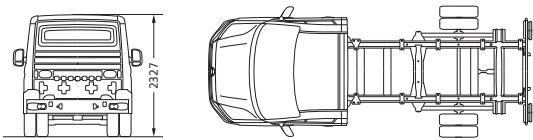
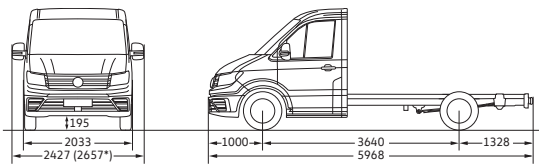
turning circle (m)

16.2

All measurements listed are based on series vehicles. The height measurements listed here can differ by approx. ±40 mm depending on equipment. The vehicle drawings are not to scale.

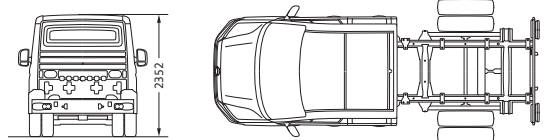
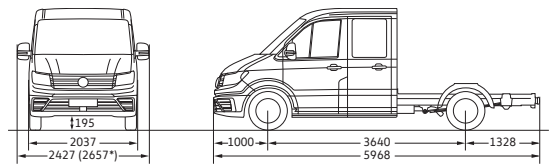
Dimensions.

Crafter 50 Chassis medium wheelbase with single cab



*This value applies for the optional bow-mounted door mirror extensions.

Crafter 50 Chassis medium wheelbase with double cab



*This value applies for the optional bow-mounted door mirror extensions.

turning circle (m)

13.6

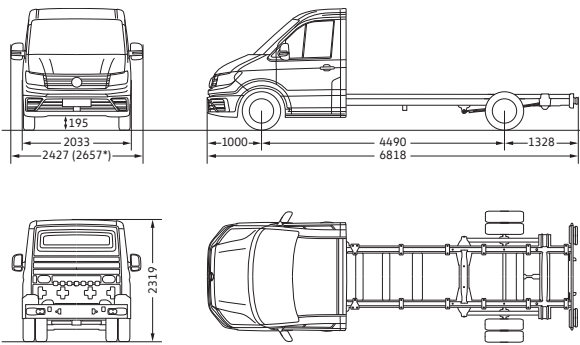
turning circle (m)

13.6

All measurements listed are based on series vehicles. The height measurements listed here can differ by approx. ±40 mm depending on equipment. The vehicle drawings are not to scale.

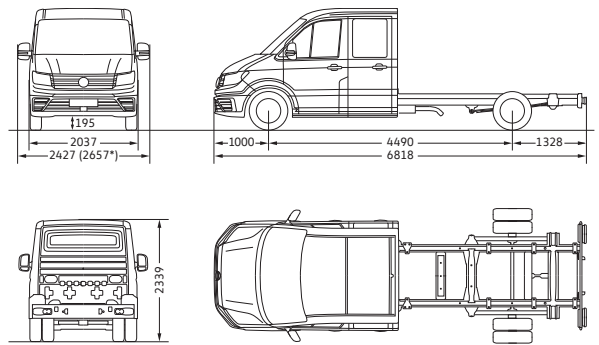
Dimensions.

Crafter 50 Chassis long wheelbase with single cab



*This value applies for the optional bow-mounted door mirror extensions.

Crafter 50 Chassis long wheelbase with double cab



*This value applies for the optional bow-mounted door mirror extensions.

turning circle (m)

16.2

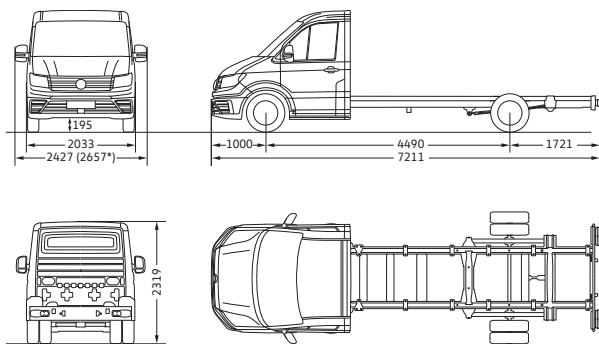
turning circle (m)

16.2

All measurements listed are based on series vehicles. The height measurements listed here can differ by approx. ±40 mm depending on equipment. The vehicle drawings are not to scale.

Dimensions.

Crafter 50 Chassis long plus wheelbase with single cab



*This value applies for the optional bow-mounted door mirror extensions.

turning circle (m)

16.2

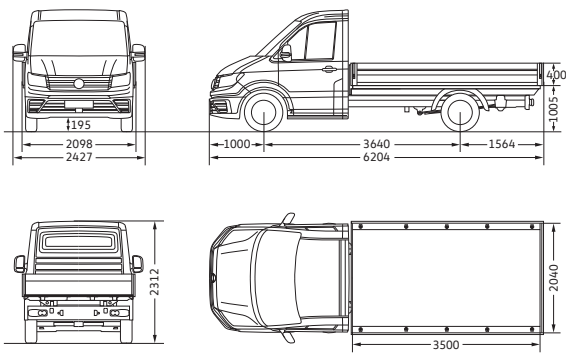
All measurements listed are based on series vehicles. The height measurements listed here can differ by approx. ±40 mm depending on equipment. The vehicle drawings are not to scale.

Model year 2017 (Data as of November 6th 2017), Issue 3

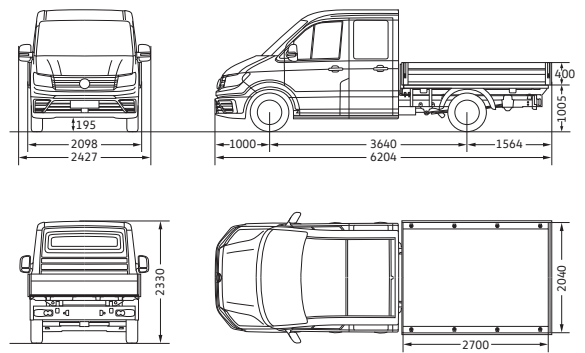
Universal Sales Programme - Dimensions - 214

Dimensions.

Crafter 35 Dropside Van medium wheelbase with single cab



Crafter 35 Dropside Van medium wheelbase with double cab



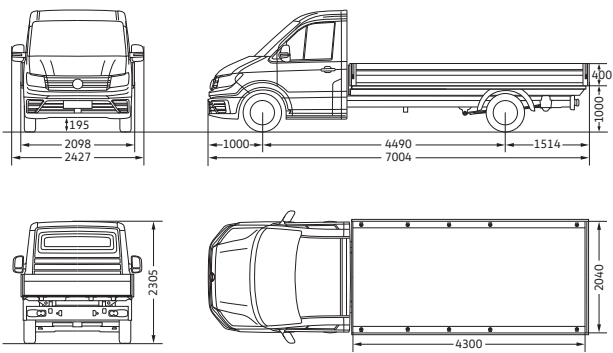
load area (m ²)	7.1
turning circle (m)	13.6

load area (m ²)	5.5
turning circle (m)	13.6

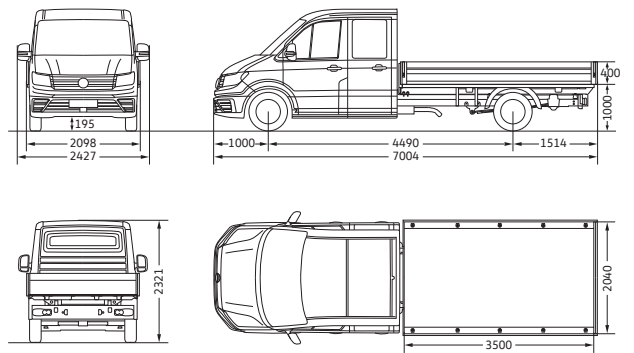
All measurements listed are based on series vehicles. The height measurements listed here can differ by approx. ±40 mm depending on equipment. The vehicle drawings are not to scale.

Dimensions.

Crafter 35 Dropside Van long wheelbase with single cab



Crafter 35 Dropside Van long wheelbase with double cab



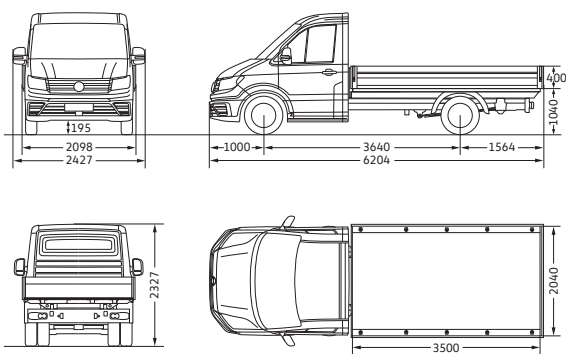
load area (m ²)	8.8
turning circle (m)	16.2

load area (m ²)	7.1
turning circle (m)	16.2

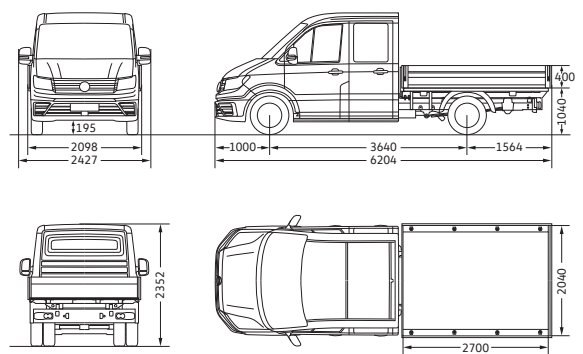
All measurements listed are based on series vehicles. The height measurements listed here can differ by approx. ±40 mm depending on equipment. The vehicle drawings are not to scale.

Dimensions.

Crafter 50 Dropside Van medium wheelbase with single cab



Crafter 50 Dropside Van medium wheelbase with double cab



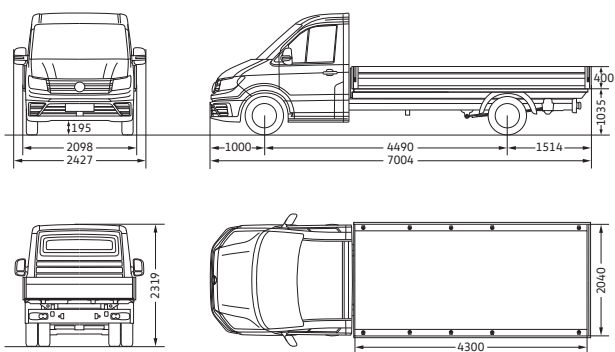
load area (m ²)	7.1
turning circle (m)	13.6

load area (m ²)	5.5
turning circle (m)	13.6

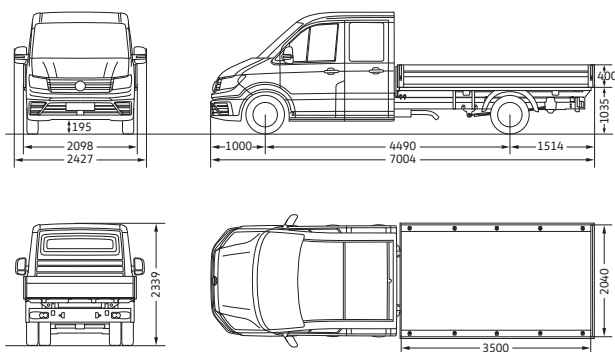
All measurements listed are based on series vehicles. The height measurements listed here can differ by approx. ±40 mm depending on equipment. The vehicle drawings are not to scale.

Dimensions.

Crafter 50 Dropside Van long wheelbase with single cab



Crafter 50 Dropside Van long wheelbase with double cab



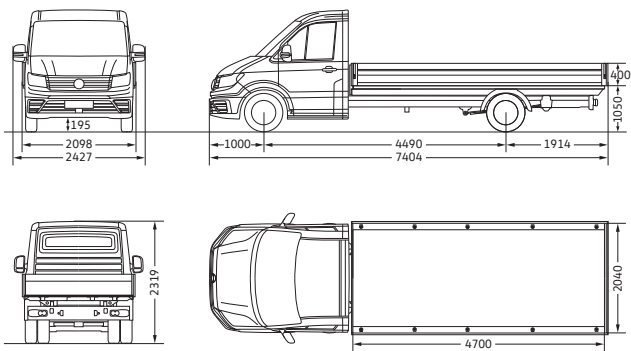
load area (m ²)	8.8
turning circle (m)	16.2

load area (m ²)	7.1
turning circle (m)	16.2

All measurements listed are based on series vehicles. The height measurements listed here can differ by approx. ±40 mm depending on equipment. The vehicle drawings are not to scale.

Dimensions.

Crafter 50 Dropside Van long plus wheelbase with single cab



load area (m ²)	9.6
turning circle (m)	16.2

All measurements listed are based on series vehicles. The height measurements listed here can differ by approx. ±40 mm depending on equipment. The vehicle drawings are not to scale.

Model year 2017 (Data as of November 6th 2017), Issue 3

Universal Sales Programme - Dimensions - 219